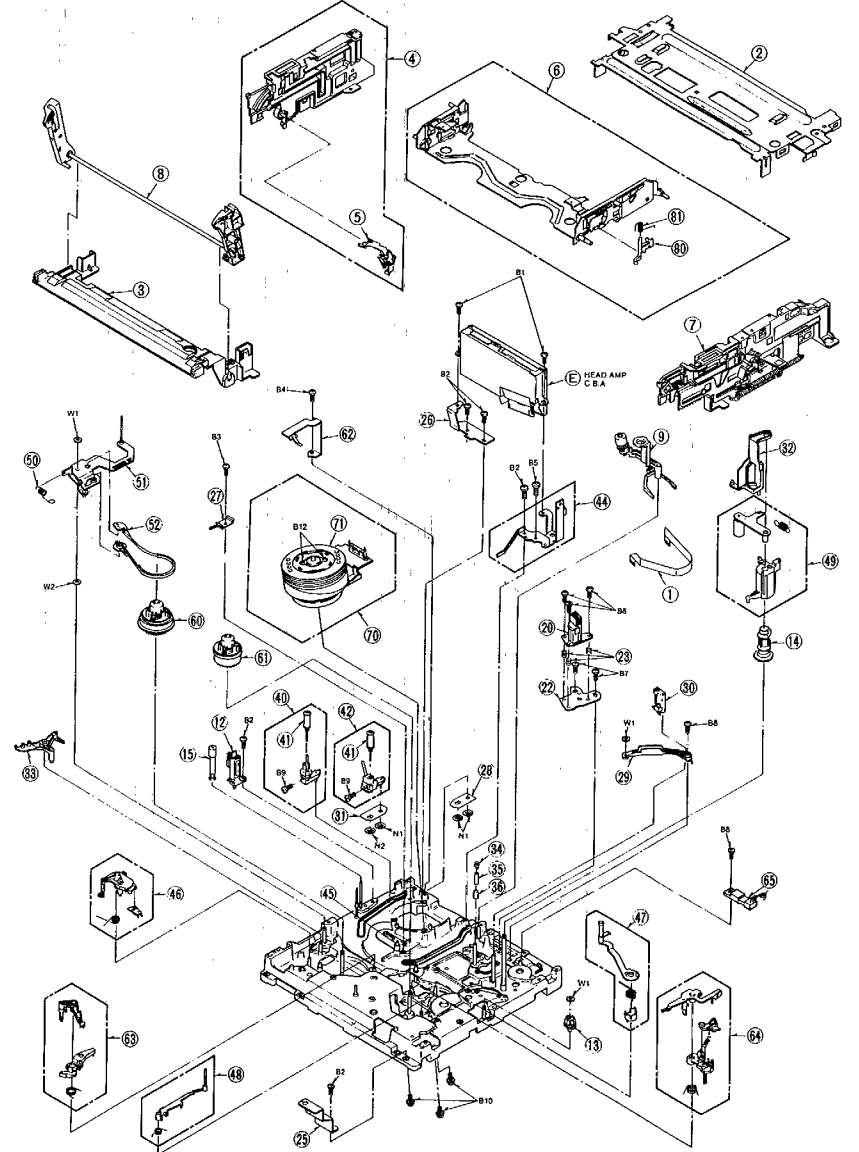


SECTION 5

EXPLODED VIEWS & PARTS LIST

5-1. EXPLODED VIEW & MECHANICAL REPLACEMENT PARTS LIST

1 CHASSIS PARTS SECTION (1)



Note: 1. Be sure to make your orders of replacement parts according to this list.
 2. IMPORTANT SAFETY NOTICE: Components identified with the mark (I) have the special characteristics for safety. When replacing any of these components, use only the same type.

Ref. No.	Part No.	Part Name & Description	Qty	Remarks
*****	NV-SD4508			
1(1)	VJA7043	FLEXIBLE CABLE (6P)	1	PM002-P1501
2(1)	VMA8644	TOP PLATE	1	
3(1)	VMA8787	CASSETTE GUIDE	1	
4(1)	VMA6660	SIDE PLATE (L) UNIT	1	
5(1)	VML2902	OPENER LEVER	1	
6(1)	VMA4661	CASSETTE HOLDER PLATE UNIT	1	
7(1)	VMA4806	SIDE PLATE (R) UNIT	1	
8(1)	VMP1339	MAIN SHAFT UNIT	1	
9(1)	VXL2440	CLEANER ARM UNIT	1	
12(1)	VBS0052	PS HEAD	1	
13(1)	VDC0871	CARRIAGE CONNECTION GEAR	1	
14(1)	VDC0886	PINCH CAM GEAR	1	
15(1)	VXP1402	IMPEDANCE ROLLER UNIT	1	
20(1)	VX20237	A/C HEAD (1) UNIT	1	
21(1)	VMA8624	A/C HEAD BASE	1	
23(1)	VMS2515	A/C HEAD SPRING	3	
25(1)	VMA8761	POINT ANGLE	1	
26(1)	VMA8158	HEAD AMP MOUNT ANGLE (L)	1	
27(1)	VXC0917	EARTH SPRING	1	
28(1)	VMA8874	INCLINED BASE HOLDER (S)	1	
29(1)	VXD2078	PS STOPPER BASE	1	
30(1)	VMA4927	PS POST STOPPER	1	
31(1)	VMA8873	INCLINED BASE HOLDER (T)	1	
32(1)	VMD2101	OPENER PIECE	1	
33(1)	VNL2776	TENSION SPRING ARM	1	
34(1)	VXK1544	P4 UPPER LIMITER	1	
35(1)	VXK2175	P4 SLEEVE	1	
36(1)	VXK2176	P4 LOWER LIMITER	1	
40(1)	VXA5245KIT	INCLINED BASE (S) UNIT	1	OR VXA4982KIT
41(1)	VXP1415	ROLLER POST	2	
42(1)	VXA5247KIT	INCLINED BASE (T) UNIT	1	OR VXA4980KIT
44(1)	VMA4974	HEAD AMP MOUNT ANGLE (R) U.	1	
45(1)	VMS383	CASSETTE POSITION FIXTURE	1	
46(1)	VXL2310	REVIEW ARM UNIT	1	
47(1)	VXL2306	PS ARM UNIT	1	
48(1)	VXL2394	TAKE UP TENSION REGULATOR ARM UNIT	1	
49(1)	VXL2246	PINCH ARM UNIT	1	
50(1)	VMB2434	TENSION SPRING	1	
51(1)	VXL2309	TENSION ARM (1) UNIT	1	
52(1)	VX20310	TENSION BAND UNIT	1	
60(1)	VXR0236	SUPPLY REEL TABLE UNIT	1	
61(1)	VXR0237	TAKE UP REEL TABLE UNIT	1	
62(1)	VXS0114	EARTH PLATE	1	
63(1)	VX20312	SUPPLY BRAKE ARM UNIT	1	
64(1)	VX20313	TAKE UP BRAKE ARM UNIT	1	
65(1)	2S81370VDD1E	POWER TRANSISTOR	1	
70(1)	VEG1195	CYLINDER UNIT	1	(SUPPLIED FROM MBV)
71(1)	VEH705	UPPER CYLINDER UNIT	1	(SUPPLIED FROM MBV)
80(1)	VNL2680	RELEASE LEVER	1	
81(1)	VMB2013	RELEASE SPRING	1	
81(1)	VHD0773	SCREW	2	
82(1)	XTV26+6F	SCREW	5	
83(1)	XTV26+4F	SCREW	1	
84(1)	XTN3+6FFZ	SCREW	1	
85(1)	XTV26+10F	SCREW	1	
86(1)	VHD0762	SCREW	3	
87(1)	XTV26+6FZ	SCREW	2	
88(1)	XTV26+8F	SCREW	2	
89(1)	XQN2+3J4	SCREW	2	
B10(1)	VHD0342	SCREW	3	
B12(1)	VHD0425	SCREW	2	
N1(1)	VMD0192	NUT	3	
N2(1)	VMD0193	NUT	1	
W1(1)	VWX2208	WASHER	3	
W2(1)	VXCV26D5G	WASHER	1	

2 CHASSIS PARTS SECTION (2)

Note: 1. Be sure to make your orders of replacement parts according to this list.
 2. IMPORTANT SAFETY NOTICE: Components identified with the mark (I) have the special characteristics for safety. When replacing any of these components, use only the same type.

Ref. No.	Part No.	Part Name & Description	Qty	Remarks
100(2)	VEK0927	CARSTAN STATOR UNIT	1	
101(2)	VBM0061	FG HEAD	1	
102(2)	VMA8930	RECTOR STOPPER	1	
104(2)	VMD1927	OIL SEAL	2	
105(2)	VXD0140	HOUSING UNIT	1	
106(2)	VMP1519	CARSTAN ROTOR UNIT	1	
107(2)	VXP0297	THURST SCREEN UNIT	1	
108(2)	VMD0913	MAIN CAM GEAR	1	
109(2)	VDC0956	SUPPLY REEL GEAR	1	
110(2)	VDC0957	TAKE UP REEL GEAR	1	
111(2)	VDC0868	WORN WHEEL GEAR	1	
112(2)	VDC0885	SUB CAM GEAR	1	
113(2)	VXD2025	TIMING BELT	1	
120(2)	VDC0866	WORN GEAR	1	
121(2)	VPE0427	LOADING MOTOR (1) UNIT	1	
123(2)	VMD1942	MOTOR BRACKET	1	
126(2)	VNL2725	IDLER CONTROL LEVER	1	
127(2)	VBS0365	MODE SW	1	
128(2)	VXA5138	SS BRAKE BASE UNIT	1	
129(2)	VMA4759	TENSION ROLLER UNIT	1	
140(2)	VXL2378	IDLER ARM UNIT	1	
141(2)	VXL2372	DIRECT LEVER UNIT	1	
142(2)	VXL2259	SUPPLY LOADING ARM UNIT	1	
143(2)	VXL2300	TAKE UP LOADING ARM UNIT	1	
144(2)	VXL2307	MAIN LEVER UNIT	1	
145(2)	VXP1409	CENTRE CLUTCH	1	
B102(2)	XTV26+8F	SCREW	1	
B103(2)	XTV26+6F	SCREW	3	
B104(2)	VMD0753	SCREW	4	
B105(2)	VMD0754	SCREW	1	
B106(2)	XSE26+4FZ	SCREW	1	
W101(2)	VWX2208	WASHER	4	

