

5. EXPLODED VIEWS

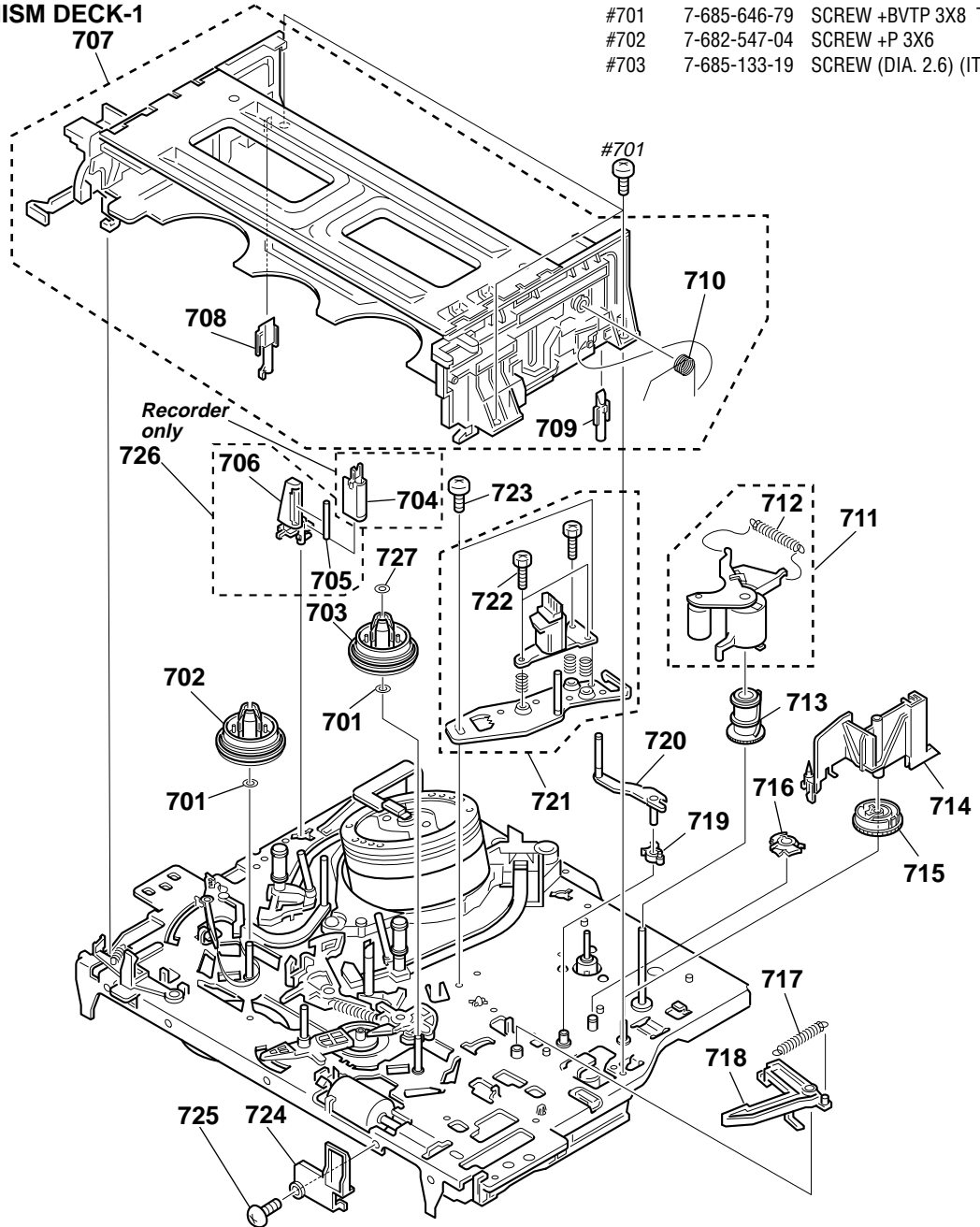
Note:

- -XX, -X mean standardized parts, so they may have some differences from the original one.
- Items marked “*” are not stocked since they are seldom required for routine service. Some delay should be anticipated when ordering these items.
- The mechanical parts with no reference number in the exploded views are not supplied.

HARDWARE LIST

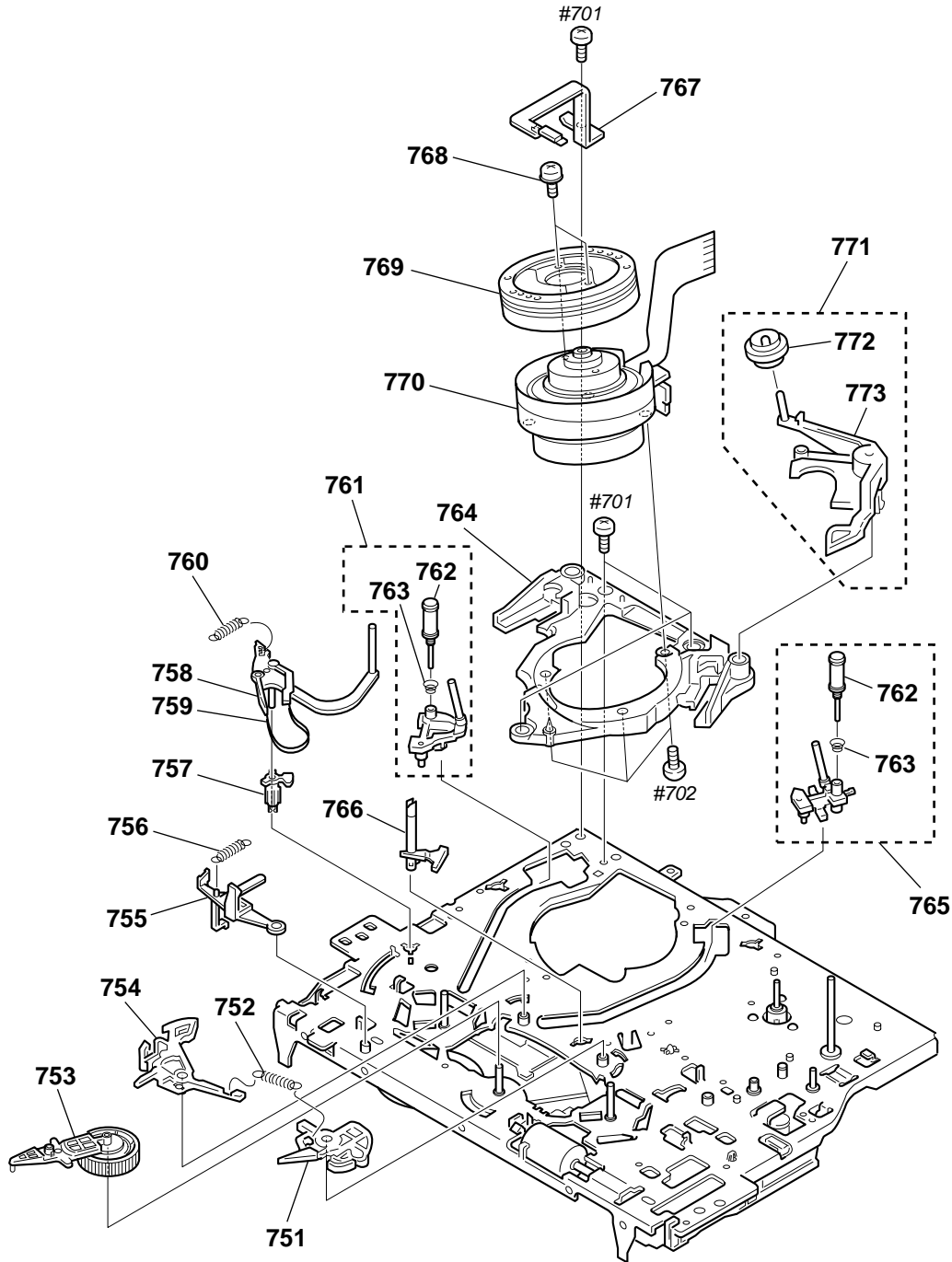
5-1. MECHANISM DECK-1

#701	7-685-646-79	SCREW +BVTP 3X8 TYPE2 IT-3
#702	7-682-547-04	SCREW +P 3X6
#703	7-685-133-19	SCREW (DIA. 2.6) (IT3B)



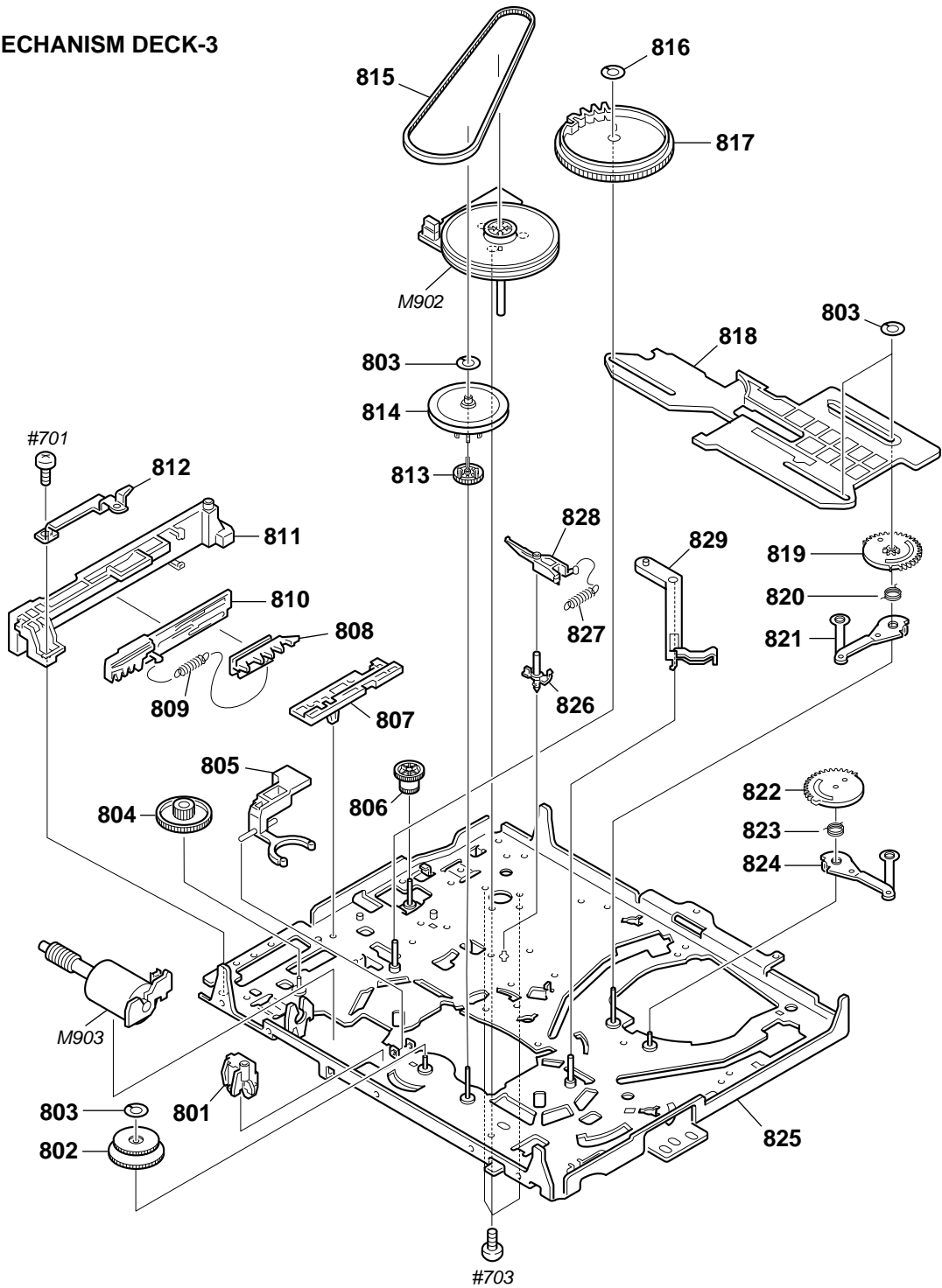
Ref. No.	Part No.	Description	Remarks	Ref. No.	Part No.	Description	Remarks
701	3-977-509-01	WASHER, THRUST		715	3-977-441-01	GEAR, PINCH PRESSING	
702	3-977-507-01	TABLE, REEL (S) (GRAY)		716	3-977-445-01	GEAR, TG8 ARM DRIVING	
703	3-977-508-01	TABLE, REEL (T) (BLACK)		717	3-977-465-01	SPRING, EXTENSION (RVS BRAKE)	
704	1-500-144-11	HEAD, FE (RECORDER)		718	X-3947-582-1	ARM ASSY, RVS BRAKE	
705	3-977-495-01	SHAFT TG2 (RECORDER)		719	3-977-446-01	GEAR, TG8 ARM	
706	3-977-494-01	HOLDER, FEH (RECORDER)		720	X-3947-590-1	TG8 ASSY	
707	A-6759-619-A	FL COMPLETE ASSY BOARD, COMPLETE		721	A-6759-620-A	HEAD BLOCK ASSY, ACE (TDK)	
708	3-977-535-01	PLATE, LUMINOUS (END SENSOR)		722	3-974-556-01	+ HEXA TT 2.6X9 (TAPER)	
709	3-977-536-01	PLATE, LUMINOUS (TOP SENSOR)		723	3-979-508-01	SCREW	
710	3-970-471-01	SPRING (DECK OPEN), TORSION		724	3-978-485-01	PLATE, GUIDE CASSETTE	
711	A-6759-615-A	PRESS BLOCK ASSY, PINCH		725	3-696-519-01	+P IT3 SCREW 3X8	
712	3-958-455-01	SPRING (PINCH), TENSION		726	X-3947-817-1	FEH, ASSY (PLAYER)	
713	3-977-447-01	GEAR, ELEVATOR		727	3-977-443-01	WASHER, STOPPER	
714	3-977-514-01	OPENER, LID					

5-2. MECHANISM DECK-2



Ref. No.	Part No.	Description	Remarks	Ref. No.	Part No.	Description	Remarks
751	X-3947-581-1	BRAKE ASSY,MAIN(T)		763	3-965-178-01	SPRING	
752	3-977-462-01	SPRING,EXTENSION. (MAIN BRAKE)		764	3-969-629-01	BASE, DRUM	
753	X-3947-573-1	ARM ASSY, PENDULUM		765	A-6750-325-A	SHUTTLE (T) BLOCK ASSY	
754	X-3947-580-1	BRAKE ASSY, MAIN(S)		766	3-977-501-01	PLATE, LUMINOUS	
755	3-977-513-01	LEVER, REC. PROOF		767	X-3943-899-8	GROUND ASSY, SHAFT	
756	3-976-767-01	SPRING, TENS. (REC. PROOF)		768	2-643-205-01	SCREW	
757	3-977-487-01	BOSS, TG1 FULCRUM		769		Refer to the service manual for each model.	
758	X-3947-587-1	TG1 ASSY		770		Refer to the service manual for each model.	
759	X-3947-589-1	BAND ASSY, TG1		771	A-6759-614-A	ROLLER BLOCK ASSY, HC	
760	3-977-488-01	SPRING (POWER TENSION)		772	X-3947-255-1	ROLLER ASSY, HC	
761	A-6750-324-A	SHUTTLE (S) BLOCK ASSY		773	3-977-537-01	ARM, HC ROLLER	
762	X-3944-378-1	ROLLER ASSY, GUIDE					

5-3. MECHANISM DECK-3



Ref. No.	Part No.	Description	Remarks	Ref. No.	Part No.	Description	Remarks
* 801	3-977-437-01	RETAINER,CAM MOTOR		817	3-977-439-01	GEAR, CAM	
802	X-3947-584-1	ASSY, REEL DIRECT		818	3-977-442-01	SLIDER	
803	3-977-443-01	WASHER, STOPPER		819	3-977-455-01	GEAR, LOADING(T)	
804	3-977-438-01	WORM - WHEEL		820	3-977-456-01	SPRING, TORSION (LOAD T)	
805	3-977-506-01	ARM, LIMITTER SELECTION		821	X-3947-579-1	LEVER ASSY, LOADING(T)	
806	3-977-444-01	GEAR, PINCH TRANSMISSION		822	3-977-451-01	GEAR, LOADING(S)	
807	3-977-515-01	GUIDE, FL SLIDER		823	3-977-452-01	SPRING, TORSION (LOAD S)	
808	3-977-517-01	PLATE, SLIDE, FL		824	X-3947-578-1	LEVER ASSY, LOADING(S)	
809	3-977-519-01	SPRING, TENS. (LIMIT, FL)		825	X-3947-576-1	CHASSIS ASSY, MECHANICAL	
810	3-977-518-01	PLATE, LIMITTER, FL		826	3-977-468-01	SHAFT, CAPSTAN BRAKE	
811	3-977-516-01	HOLDER, FL SLIDER		827	3-977-467-01	SPRING, CAP BRAKE	
812	3-977-877-01	PLATE, RETAINER		828	X-3947-583-1	BRAKE ASSY, CAPSTAN	
813	3-977-504-01	GEAR, CLUTCH		829	3-977-489-01	ARM, TG1 DRIVING	
814	X-3947-585-1	GEAR ASSY, PULLEY		M902	1-698-971-11	MOTOR, DC	
815	3-977-510-01	BELT, RUBBER		M903	X-3947-577-1	MOTOR ASSY, CAM	
816	3-977-440-01	WASHER, STOPPER					